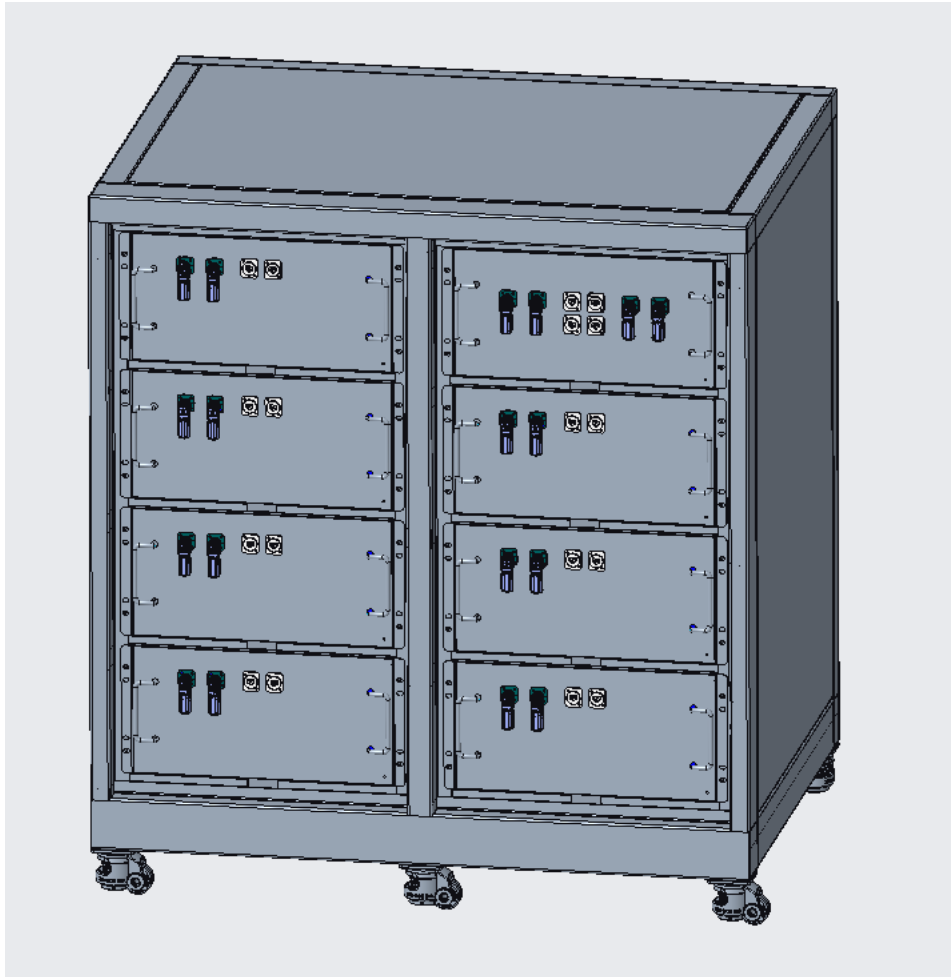


ANERN INDUSTRY GROUP LIMITED

- **358.4V-340AH (121.856KWh) Cabinet type High-Voltage Lithium Battery Power Storage System**
- **Specification & Datasheet**
- **Issuing Date: 2023-06-25**



I Specification

1. The system is composed of 7 battery modules + 1 PDU + 1 Cabinet
2. System Capacity: 358.4V 121.856KWH
3. Single Cell: 3.2V 340AH
4. Battery Module: 51.2V 17.408KWH
5. Battery Module Size: W442*L750*H222
6. Cabinet Size: W1120*L830*H1142

II System Configuration

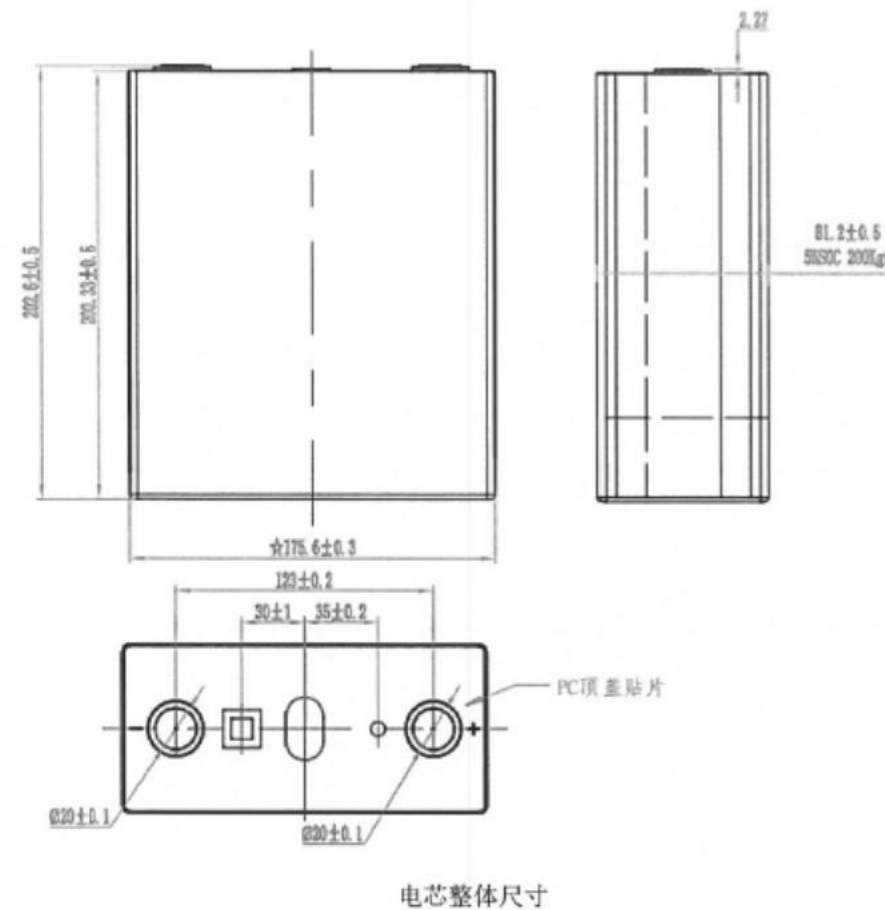
S/N	Parts Name	Quantity	Remark
1	Caster	1	
2	Battery module box	7	
3	PDU box	1	
4	Connectors	18	
5	Communication port	18	

III Process Requirement:

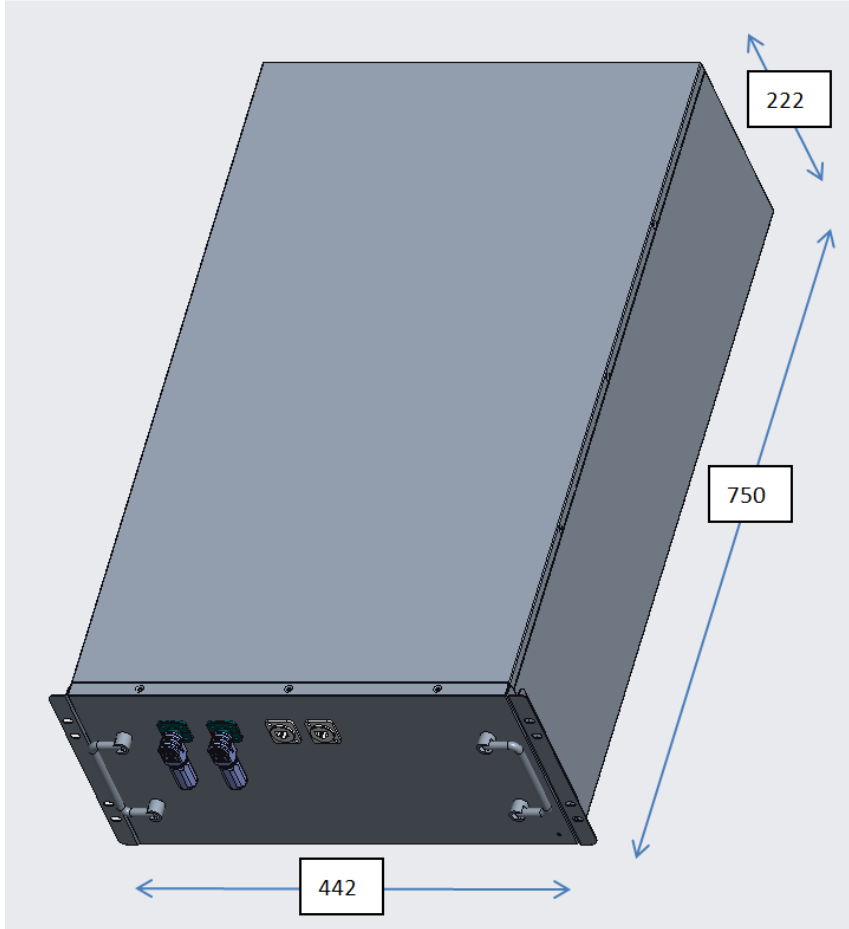
1. Material: SPCC, thickness as per drawing
 2. Surface Treatment: Spray black sand paint
- Remark: Only for: Shell + Connector + Communication port

IV Single Cell

Parameters	Specification	Condition
Rated Capacity	340Ah	1/3C discharge current 25±2°C
Rated Voltage	3.22V	1/3C discharge current 25±2°C
Min. Capacity	340Ah	1C discharge current 25±2°C
Operating Voltage	2.0V-3.65V/1.8V-3.65V	T>0°C / T≤0°C
Cell Internal Resistance (1KHz)	≤0.5mΩ	New cell status, 30%SOC
Standard Charge Current	100.7A	25±2°C
Standard Discharge Current	100.7A	25±2°C
Operating Temperature (Charge)	0-55°C	
Operating Temperature (Discharge)	-30-55°C	



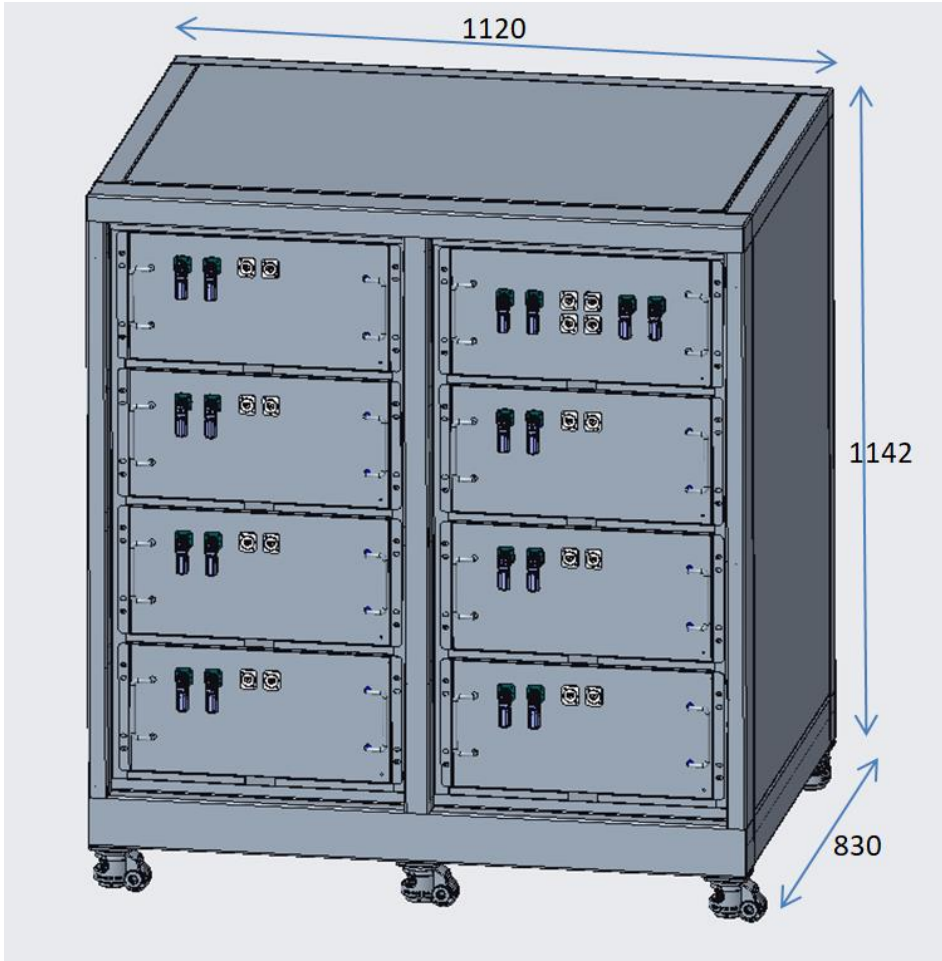
注：图中尺寸单位为毫米（mm）。



V Standard Battery Module

S/N	Item Name	Parameters
1	Rated Capacity	340AH
2	Rated Voltage	51.2V
3	Rated Power Storage	17.408KWH
4	Standard Charging	CC-CV mode
		Current 68A (0.2C)
		Terminating Current 17A(0.05C)
5	Standard Discharging	CC mode
		Rated discharge current 68A
		Max discharge current 340A
		Terminating voltage 40V
6	Max Discharge Power	17.4KW (1.0CP)
7	Weight	115KG
8	Operating Temperature Range	0-40 degrees

VI Cabinet Specification



S/N	Item Name	Parameters
1	Rated Capacity	340AH
2	Rated Voltage	358.4V
3	Charge Voltage	408.8V
4	Rated Power Storage	121.856KWH
5	Standard Charging	CC-CV mode
		Current 68A (0.2C)
		Terminating Current 17A (0.05C)
6	Standard Discharging	CC mode
		Rated discharge current 68A
		Max discharge current 170A
		Terminating voltage 280V
7	Max Discharge Power	121KW (1.0CP)
8	Weight	920KG
9	Operating Temperature Range	0-40 degrees
10	Communication Way	CAN

VII Slave Control Battery Box

Layout Diagram of
16 series/1 parallel battery modules:



VIII Main Control PDU

